

**Pertech**
your check and ID scanning solution

Pertech's 6100 Series Scanners



Check and ID Scanning

available in desktop and kiosk models

Features

- Single check or ID scanning
- MICR and OCR codeline reading
- Low maintenance: no pesky rollers or o-rings to replace
- Small footprint
- Front or rear eject
- Stamp defacing
- Designed and manufactured in the USA

Kiosk Additional Features

- Multiple mounting points
- CAD STP files available
- Metal front guide (deck)

Highly Reliable

- Life cycles: 1,000,000 documents
- 2 Year Warranty: Warranty/Repair rate < 1% annually
- MTBF: 350,000 hours

Contact us today

sales@pertechindustries.com

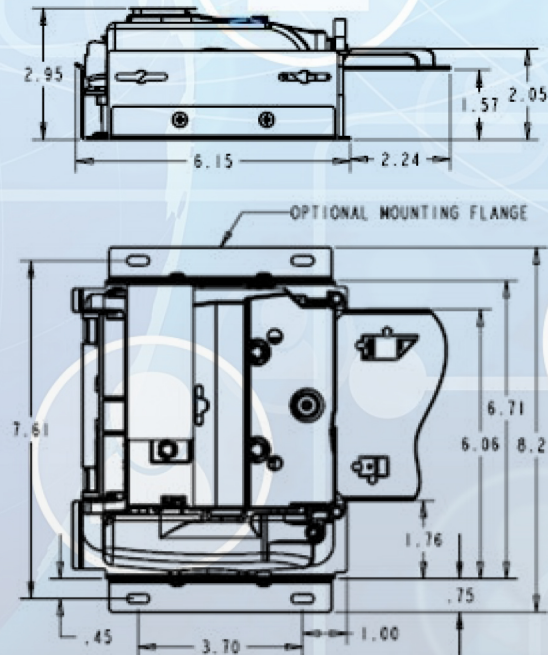
1-800-800-6614

**Pertech**
www.pertechindustries.com

Specifications

- **MICR:** Optional MICR and OCR codeline reading
- **Defacing:** Optional bottom stamping
- **Image Quality:**
300/600dpi standard
200/400dpi via API
- **Image Compression:**
CCITT G4
JPEG
- **Speed:** 10 inches per second @ 300dpi
- **Document Sizes:**
Width: 2.00" to 3.67"
Length: 3.20" to 8.75"
Weight: 16# to 32#
Thickness: 3.0 to 7.5 mils (IDs: .03")
- **Power Supply:** 24V, 625mA
Energy saving auto low power mode
- **Interface:** USB 2.0
- **Agency Listings:** TUV CUE Conforms to EU CE, and RoHS directives
- **API:** Win 7 & Up, Debian Linux, Android

Kiosk Footprint



UniLink

Sales@UniLinkinc.com | www.UniLinkinc.com | 800.666.2980

**Pertech**
www.pertechindustries.com