



THE RECOGNIZED LEADER OF SUPERIOR QUALITY CASH DRAWERS

STANDARD DUTY

STANDARD DUTY ACCESSORIES

ACCESSORIES TO
COMPLIMENT YOUR
STANDARD DUTY
CASH DRAWER

APG provides a variety of accessories that improve the function of your cash drawer and increase the efficiency of your workstation.

Compatible with your standard duty cash drawer, APG accessories include tills, till covers and under counter mounting brackets. Additional tills help reduce the time it takes to make shift changes and provide integrity for each clerk by placing them responsible for their own till. Till covers offer increased security when the till is transported from the POS workstation. Under Counter Mounting Brackets provide a secure mounting system and free up counter space for the POS transaction. Constructed of the highest quality materials, APG accessories are built to withstand the toughest environments.



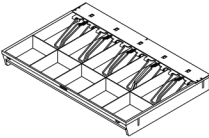
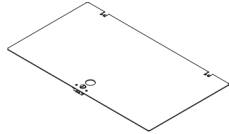
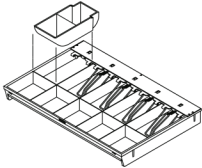
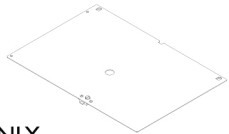
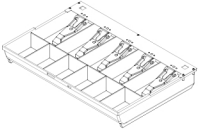

APG CASH DRAWER®

STANDARD DUTY ACCESSORY MATRIX



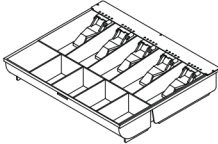

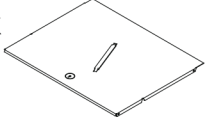
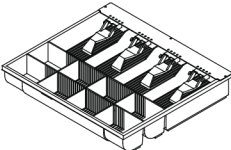
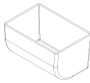
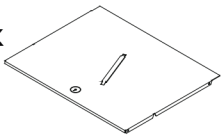
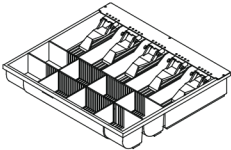
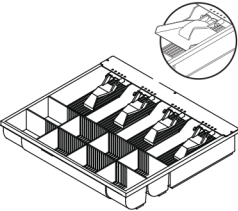
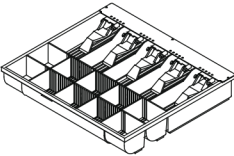
- Additional configurations and options available.
- Contact APG Cash Drawer for further information at: sales@apgcd.com or 763-571-5000.

FOR VASARIO, 18.8" MODEL 1915

Tills	Features and Dimensions (w x d x h)	Weighable Coin Cups (tare weight)	Till Covers and Lids (w x h)
VPK-15B-3-BX Standard till for 1915 Cash Drawers 	Bill/Coin = 5 x 5 Fixed Bill/Coin Areas Wire Bill Hold Downs 16.0 x 11.0 x 2.2 inch 407 x 278 x 55 mm	N/A	VPK-14B-5-BX 15.4 x 8.8 inch 391 x 224 mm 
VPK-15B-3CC-BX 	Bill/Coin = 4 x 6 Fixed Bill/Coin Areas Wire Bill Hold Downs 16.0 x 11.0 x 2.2 inch 407 x 278 x 55 mm		VPK-14B-10-BX (recessed till lid) For VPK-15B-9-BX ONLY 15.4 x 10.7 inch 391 x 271 mm 
VPK-15B-9-BX 	Bill/Coin = 5 x 6 Fixed Bill/Coin Areas Plastic Bill Hold Downs 16.0 x 10.95 x 2.15 inch 406.4 x 278.13 x 54.6 mm		VPK-14B-11-BX For VPK-15B-9-BX ONLY 

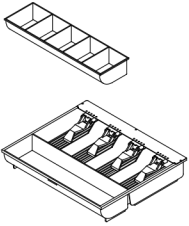

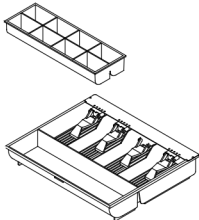
BUILT TO PERFORM

FOR **VASARIO, 16"** MODELS 1616, 1618

Tills	Features and Dimensions (w x d x h)	Weighable Coin Cups (tare weight)	Till Covers and Lids (w x h)
<p>VPK-15B-2A-BX</p> <p>Standard till for 1616 or 1618 Cash Drawers</p> 	<p>Bill/Coin Count = 5 x 5 Fixed Bill/Coin Areas Plastic Bill Hold Downs 14.2 x 12.05 x 2.35 inch 361 x 307 x 60 mm</p>	<p>VPK-15J-05-BX Coin Cups</p>  <p>33.5 grams</p>	<p>VPK-14B-4-BX 14.2 x 10.9 inch 361 x 277 mm</p> 
<p>VPK-15B-5-BX</p> 	<p>Bill/Coin = 4 x 8 Adjustable Bill/Coin Widths 14.2 x 12.65 x 2.4 inch 361 x 321 x 61 mm</p>	<p>VPK-15J-01-BX Coin Cups</p>  <p>33.5 grams</p>	<p>VPK-14B-6-BX 14.2 x 11.5 inch 361 x 292 mm</p> 
<p>VPK-15B-10-BX</p> 	<p>Bill/Coin = 5 x 8 Adjustable Bill/Coin Widths 14.2 x 12.65 x 2.4 inch 361 x 321 x 61 mm</p>		
<p>VMPK-15B-5-BX</p> 	<p>Bill/Coin = 8 x 8 Dual Currency Style Adjustable Coin Widths Euro Ready 14.2 x 12.65 x 2.4 inch 361 x 321 x 61 mm</p>		
<p>VPK-15B-12-BX</p> 	<p>Bill/Coin = 5 x 10 Adjustable Bill/Coin Widths 14.2 x 12.65 x 2.4 inch 361 x 321 x 61 mm</p>	N/A	

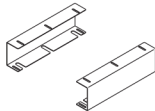
COMPLIMENTS ^{YOUR} CASH DRAWER

FOR **VASARIO, 14"** MODEL 1416

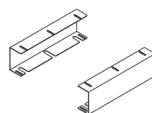
Tills	Features and Dimensions (w x d x h)	Weighable Coin Cups (tare weight)	Till Covers and Lids (w x d x h)
<p>VPK-15B-1A-BX</p> <p>Standard till for 1416 Cash Drawers</p> 	<p>Bill/Coin = 4 x 5 Adjustable Bill Widths Removable Coin Tray 12.7 x 11.7 x 2.2 inch 321 x 297 x 56 mm</p>	N/A	<p>VPK-14B-3A-BX</p> <p>12.7 x 10.4 inch 321 x 265 mm</p> 
<p>VPK-15B-4A-BX</p> 	<p>Bill/Coin = 4 x 8 Adjustable Bill Widths Removable Coin Tray 12.7 x 11.7 x 2.2 inch 321 x 297 x 56 mm</p>		

Under Counter Mounting Bracket Kits (w x d x h) For 1416, 1616, 1915 MODELS

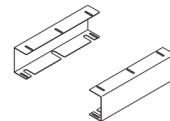
VPK-27B-16-BX
1416 and 1616 ONLY
2.44 x 16 x 4.3 inch
62 x 457.2 x 108.6 mm



VPK-27B-18-BX
1618 ONLY
2.44 x 18 x 4.3 inch
62 x 457.2 x 108.6 mm



VPK-27B-15-BX
1915 ONLY
2.44 x 15 x 4.3 inch
62 x 381 x 108.6 mm



UniLink

Sales@UniLinkinc.com | www.UniLinkinc.com | 800.666.2980



APG CASH DRAWER®

APG Cash Drawer, LLC
5250 Industrial Blvd. N.E.
Minneapolis, MN 55421

Phone: 763 571 5000
Fax: 763 571 5771

APG® Cash Drawer, the APG Cash Drawer logo, SerialPRO®, MultiPRO®, DirectPRO®, USBPro™, ParallelPRO™, POS-Integrator™, Vasario™, POS-Podium™ and Cash Drawer Caddy™ are trademarks of APG Cash Drawer, LLC.